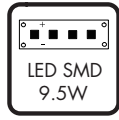
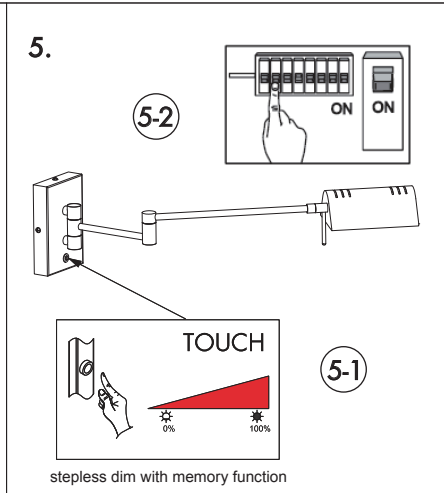
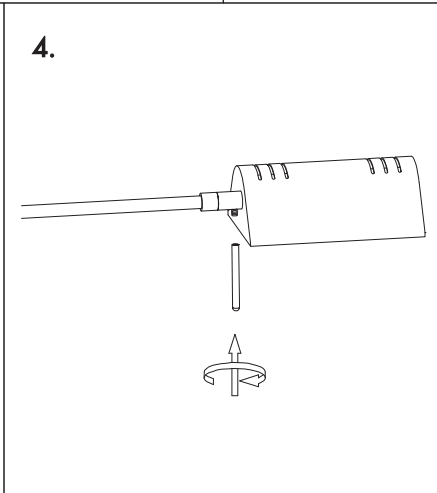
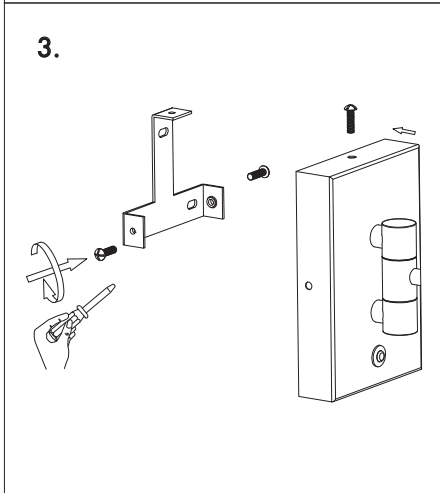
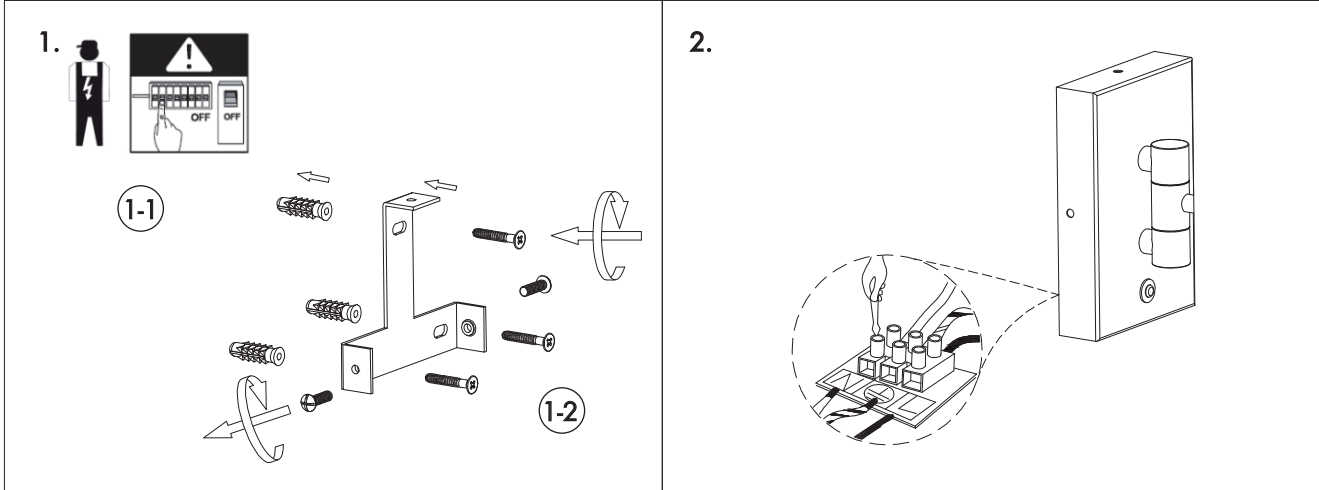


# INSTRUCTION MANUAL

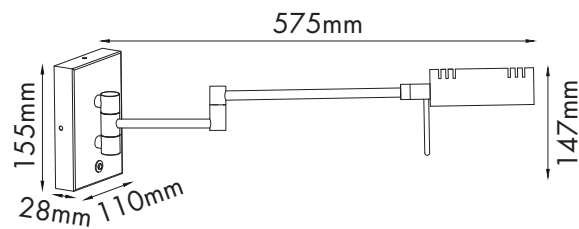


Notia WL  
105554/105555/105556/105557



Wall lamp  
incl. LED QL7001076  
990lm Module  
786lm Lamp  
9.5W LED Module  
12W Lamp  
220-240V~50Hz  
2700K  
CRI>80  
30000 h  
15000 ON/OFF

Overall Sizes:



**FittinQ B.V.**

Smaragdweg 52, 5527 LB Hapert, The Netherlands  
www.qazqa.nl

QAZQA